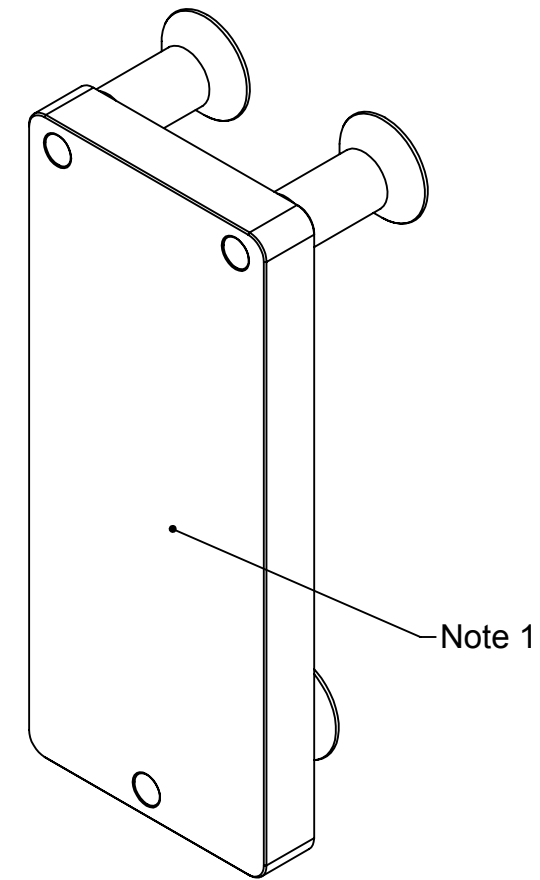
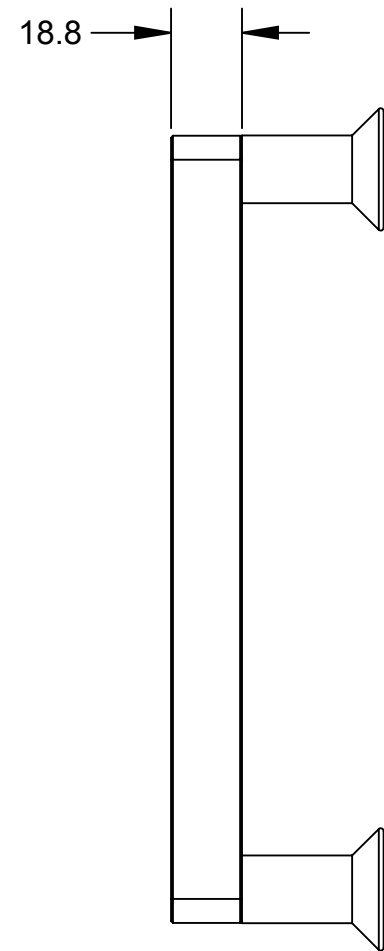
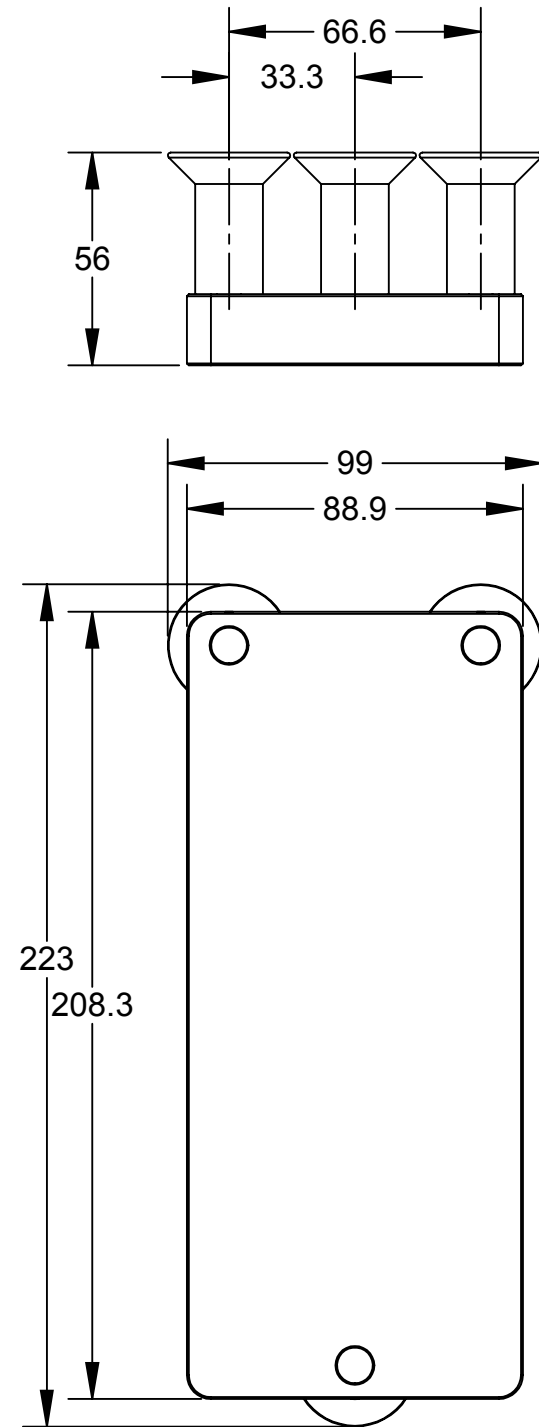
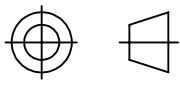


Rev.	Description	Initiator	Date
01	Initial Drawing	JMW	12/03/2013



Notes:

1. Customer to add mounting patterns as needed.

ITEM NO.	QTY.	PART NUMBER	DESCRIPTION
1	1	9120-TSM-VVB-4071	TSM Vertical Tooling Interface Plate - Blank (Large)
NOTES: UNLESS OTHERWISE SPECIFIED. DO NOT SCALE DRAWING. ALL DIMENSIONS ARE IN MILLIMETERS.		<p style="text-align: right;">1031 Goodworth Drive, Apex, NC 27539, USA Tel: +1.919.772.0115 Email: info@ati-ia.com Fax: +1.919.772.8259 www.ati-ia.com ISO 9001 Registered Company</p> <p style="text-align: center; font-size: small;">PROPERTY OF ATI INDUSTRIAL AUTOMATION, INC. NOT TO BE REPRODUCED IN ANY MANNER EXCEPT ON ORDER OR WITH PRIOR WRITTEN AUTHORIZATION OF ATI.</p>	
 3rd ANGLE PROJECTION		DRAWN BY: J. Winterroth, 12/03/13 CHECKED BY: D. Norton, 12/04/13	
		ATI INDUSTRIAL AUTOMATION	
PROJECT # -		SHEET 1 OF 1	
SCALE	SIZE	DRAWING NUMBER	REVISION
1:2	B	9630-20-TSM-VVB-4071	01